

# KWJ-WSN

## USB Gateway

### Technical Overview



### General Description

The KWJ-WSN USB gateway allows your KWJ Wireless Sensors to communicate with the KWJ-WSN online wireless sensor monitoring and notification system or KWJ-WSN standalone PC software. Simply install the USB driver and plug the device into an available USB port on a Microsoft Windows PC.

If the PC has an active internet connection and you wish to use it with the KWJ-WSN online software, install the KWJ-WSN Gateway application to pass sensor data to the online system. If you wish to use your wireless sensors locally (collect and store sensor data on your PC), install the KWJ-WSN standalone software and all sensor data will be stored within the software's database. The KWJ-WSN Express software allows you to export sensor data in a .csv format spreadsheet, and is also capable of sending SMS text and email alerts if the host computer has an active Internet connection,

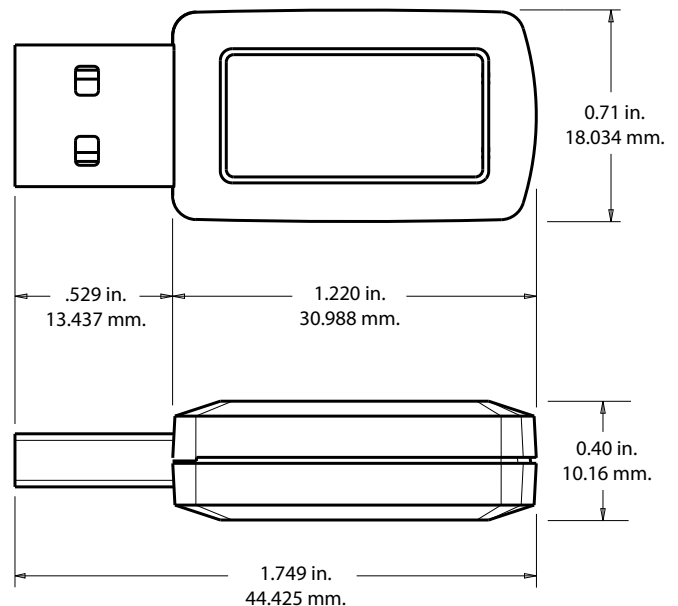
With the online KWJ-WSN software, you can easily configure your network, view collected sensor data and set alarms through SMS or e-mail, all from any web enabled browser. The system allows for complete configuration and customization at a sensor, local network, or client wide level.

KWJ's USB gateway is specifically designed to respond to the increasing market need for global technology that accommodates a variety of vertical M2M application segments and remote wireless sensor management solutions.

The gateway is available in global frequencies of 900, 868 or 433MHz. Enjoy reliable, low cost, wireless monitoring of your facilities or specific applications, with KWJ-WSN wireless sensor networks.

### KWJ-WSN USB Gateway Features

- Supports multiple RF technologies including 900, 868 and 433MHz sensor solutions.
- Uses host PC for power.
- Can be used with both KWJ-WSN Online Software or KWJ-WSN Express Standalone PC Software.
- Programmable heart-beat control.
- Supports up to 100 wireless sensors per USB.
- Windows 8, 7, and Vista compatible.



### Applications

- Commercial Facilities Monitoring
- Industrial Facilities Monitoring
- Property Management
- Data Center Monitoring
- Convenience Store Monitoring

## KWJ-WSN USB Gateway Specifications

### USB

Type:	USB 2.0 Full Speed Bus Standard
Display Name:	KWJ-WSN USB Radio Gateway
Display Type:	ApnClass
Version:	1.0.3.0
Software Compatible Platforms:	Microsoft Windows XP, Vista, Windows 7
Bus Reported Device Description:	M+ LINK
Memory Capacity:	40,000 messages

### Power

Power	Powered through USB output of PC
Maximum Power Required:	50 mA

### Mechanical

Enclosure	ABS plastic
Dimensions	1.75 x 0.71 x 0.40 Inches
Weight	0.36 ounces

### Environmental

Operating Temperature	-40 to +85 °C
Certifications:	<b>FC CE</b>  Industry Canada 900 MHz product; FCC ID: ZTL- RFUSB1 and IC: 9794A-RFUSB1. 868 and 433 MHz product tested and found to comply with: CISPR 22:2008-09 / EN 55022:2010 - Class B and ETSI EN 300 220-2 V2.4.1 (2012-05).



KWJ Engineering Inc  
8430 Central Ave.  
Suite C  
Newark, CA 94560  
510-794-4296  
[www.kwjengineering.com](http://www.kwjengineering.com)

For more information about our products or to place an order, please contact our sales department at 1-800-472-6626.

Visit us on the web at [www.kwjengineering.com](http://www.kwjengineering.com).